

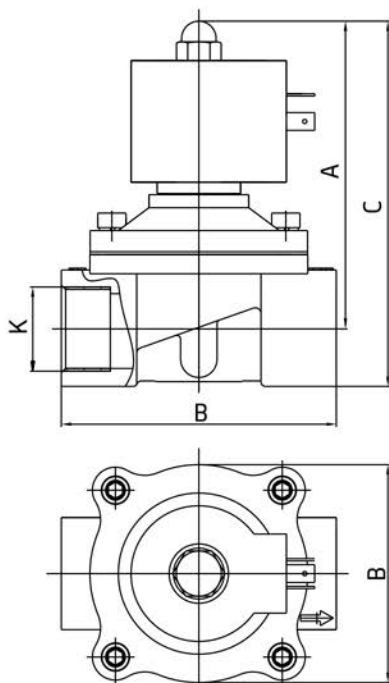
# MP-W stainless steel two way valve



## A. SOLENOID VALVES

- Series of pseudo-directly driven stainless steel 2/2 valves,
- works from zero pressure,
- membrane directly controlled by core of coil over spring,
- high reliability, long life,
- medium: air/water/oil up to 40 cSt,
- working pressure: air 0–10 Bar, water, oil: 0–7 Bar,
- maximum pressure: 10 Bar (1 MPa),
- ambient temperature:  $-5 \div 55 \text{ }^{\circ}\text{C}$ ,
- medium temperatures:
  - for NBR membranes  $-10 \div +85 \text{ }^{\circ}\text{C}$
  - for Viton – water  $-10 \div +95 \text{ }^{\circ}\text{C}$
  - air  $-25 \div +140 \text{ }^{\circ}\text{C}$
 (for steam only up to 2,5 Bar,  $+140 \text{ }^{\circ}\text{C}$  with HT coil – not standart),
- material of body: brass (standard),  
stainless steel – suffix S,
- sealing: NBR – standard,  
VITON – suffix V,  
EPDM suffix E,
- normally closed – standard,  
normally open – suffix K,
- voltage options: AC230 V 50/60 Hz, AC24 50/60 Hz,  
DC24, DC12,
- el. connection: ISO4400, IP65,
- voltage tolerance:  $\pm 10 \%$ .

Model	Orifice (mm)	Connection	Consumption AC (VA)	Consumption DC (W)	Weight (kg)	KV factor (l/min H <sub>2</sub> O at $\Delta p$ 1 Bar)
MP-W16015	16	15:1/2"	26	30	0,8	4,8
MP-W20020	20	20:3/4"	26	30	0,8	7,6
MP-W25025	25	25:1"	26	30	1,2	12
MP-W35035	35	35:1 1/4"	28	30	1,8	24
MP-W40040	40	40:1 1/2"	28	30	2,4	29
MP-W50050	50	50:2"	28	30	4,0	48



Model	A	B	C	D	K
MP-W16015	93	56	106	69	G 1/2"
MP-W20020	100	55	117	73	G 3/4"
MP-W25025	104	78	125	99	G 1"
MP-W35035	141	93	172	124	G 1 1/4"
MP-W40040	141	93	172	124	G 1 1/4"
MP-W50050	157	124	195	172	G 2"