

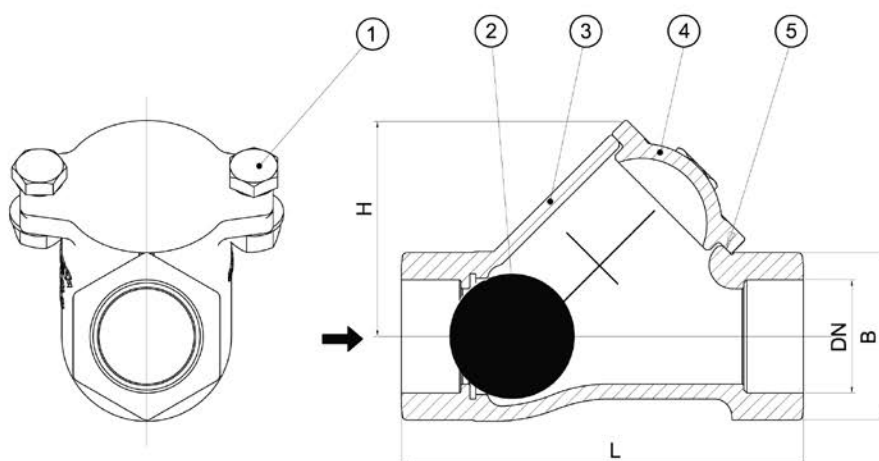
# Ball non-return valves – with thread



## B. BALL NON-RETURN VALVES

- Used for one-way flow of sewage water,
- applicable to the pressure sewer or pumping stations,
- dimension of the thread – DN32 to DN65,
- connection thread „BSP“ according to ISO 228-1,
- maximum working pressure 16 Bar,
- operating temperature  $10 \div 80$  °C,
- seating according to category A standard ISO 5208,
- minimum back-pressure for tightness: 0,3 až 0,5 Bar,
- unreduced full flow,
- self-cleaning rubbered iron ball,
- stainless steel screws SS316,
- low pressure drop,
- silent operation,
- removable bonnet for cleaning or changing the ball,
- horizontal and vertical installation in the pipeline.

Model	Clearance (mm)	L	B	H
DN32	32	135	50	72
DN40	40	145	60	85
DN50	50	175	70	100
DN65	65	200	90	125



Model	Name	Material
1	Screw	Stainless steel
2	Ball	Steel+ EPDM / NBR
3	Body	GGG 40 s FEB coated
4	Bonnet	GGG40
5	Bonnet seal	NBR or EPDM